

IG-238x96-TVR_BRG48L Setup Instructions

Show Labor Recommended

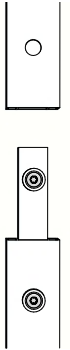


Part 1: Setup Main Backwall

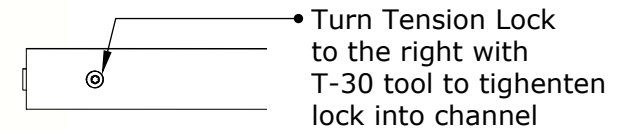
1.) Place frame flat on the floor paring like numbers. Assemble sides with small connector bars in outside channels & tighten screws. Be sure to connect Barrel Electrical Connectors at each respective joint.

2.) Assemble corners using corner brackets inserted into outside channels of frame. Tighten thumb screws.

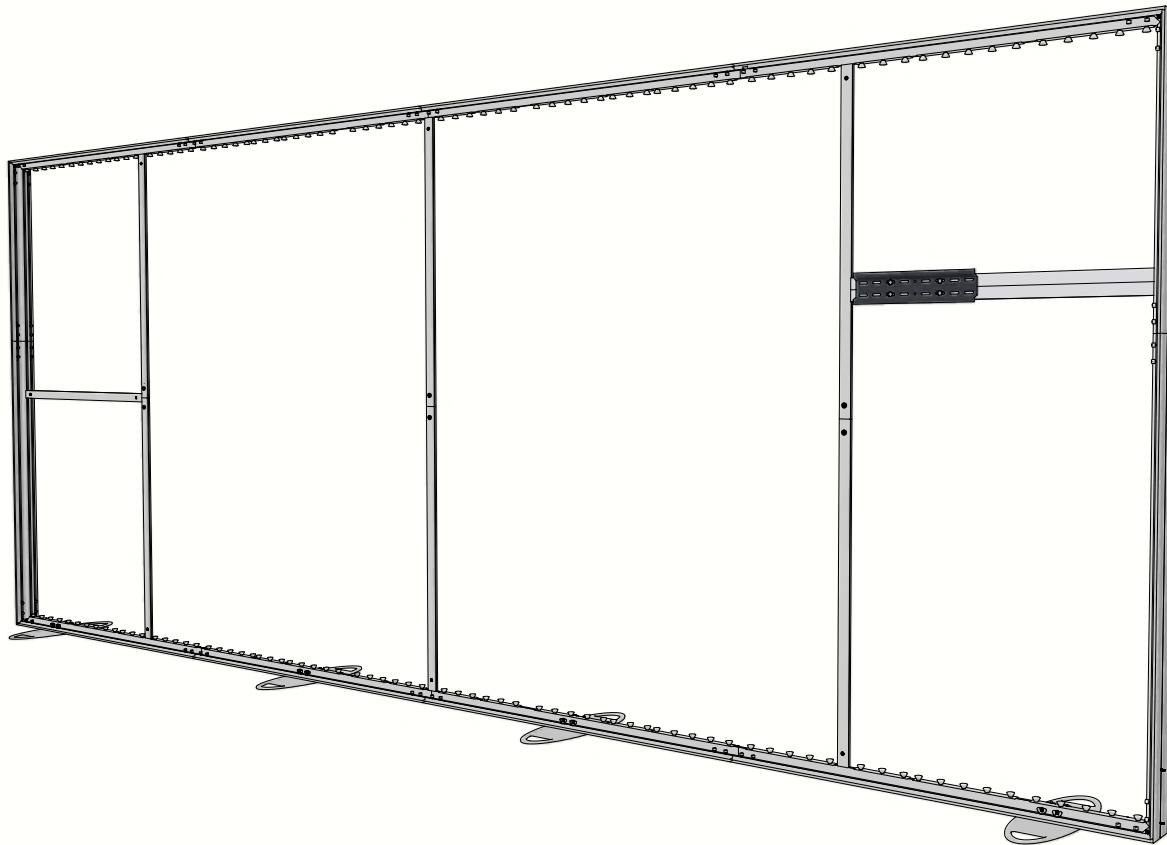
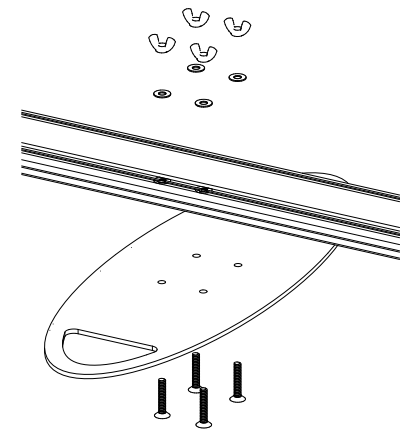
3.) Assemble vertical support bars using large connector bar & tighten screw. Insert vertical bars in to marked location on frame.



4.) Install Horizontal support bars into to marked location on frame & tighten Tension Lock

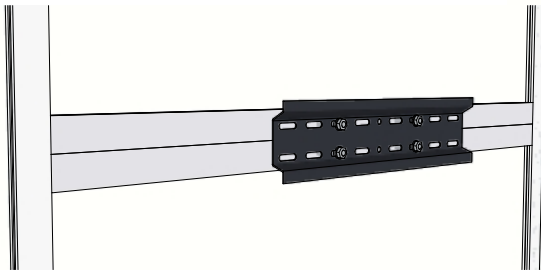


5.) Assemble base plates to the bottom of the frame using the supplied bolts, washers, & wingnuts. Stand the frame up.



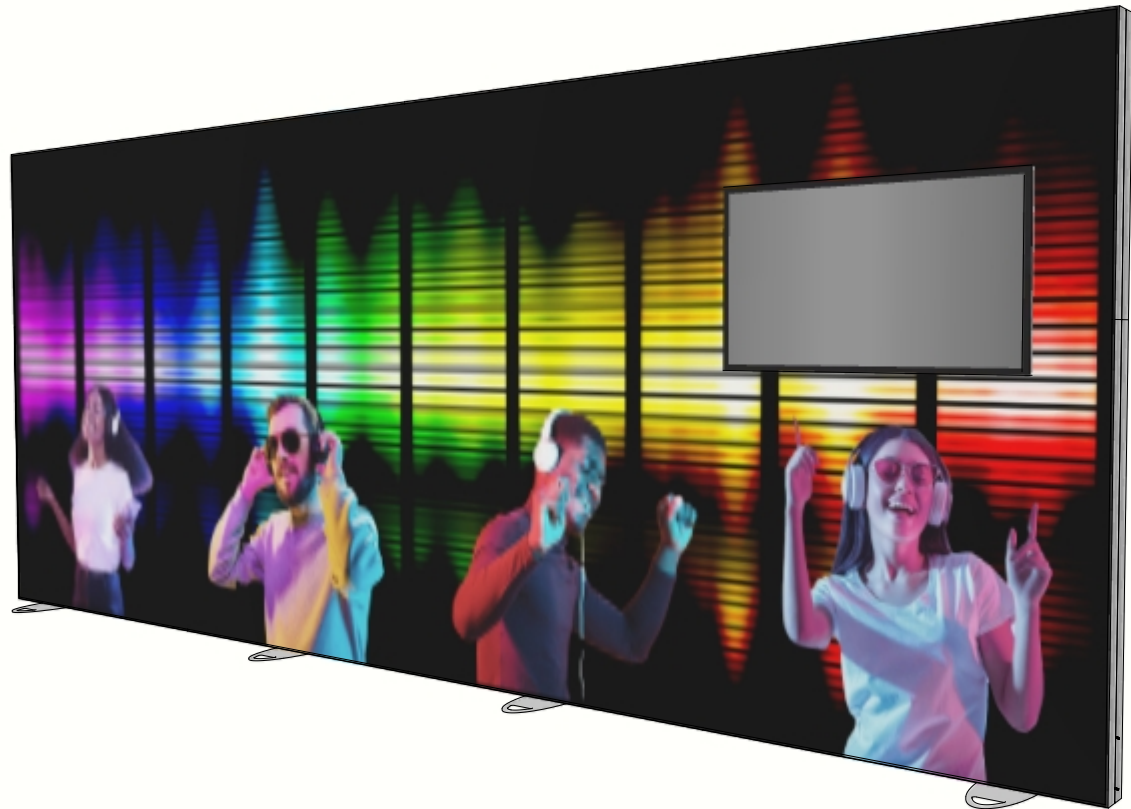
Part 1: Setup Main Backwall

6.) Insert Monitor Mount assembly into frame and align to the desired location once graphic is installed. **NOTE: Mount assembly sits behind graphic. DO NOT Disassemble.**



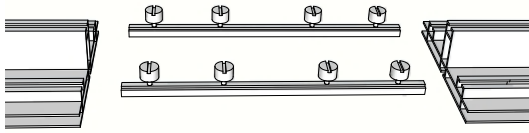
7.) Place SEG Graphic on the front of the frame following the instructions on the last page of the instruction manual. Align the monitor mount from the rear to desired location before installing the backer. Install backer on rear of frame.

8.) Install mounting hardware onto monitor using provided instructions that come with monitor mount hardware. Hang monitor on the frame.

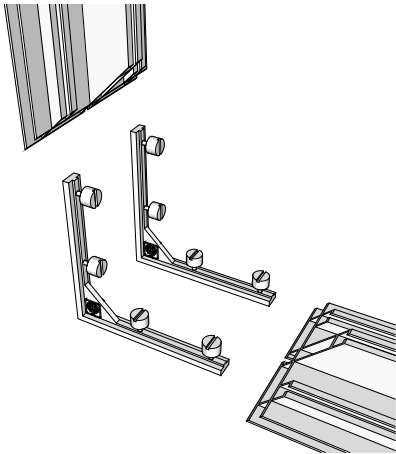


Part 2: Setup Front Display

1.) Place frame flat on the floor paring like numbers. Assemble sides with small connector bars in outside channels & tighten screws. Be sure to connect Barrel Electrical Connectors at each respective joint.



2.) Assemble corners using corner brackets inserted into outside channels of frame. Tighten thumb screws.



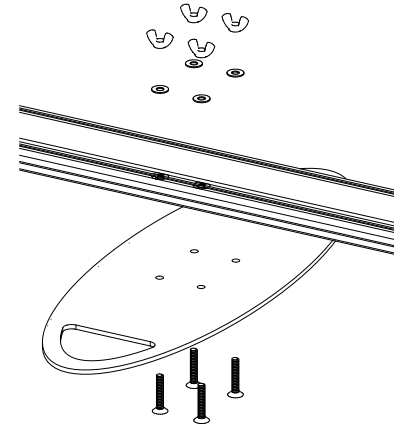
3.) Install Monitor Bracket support bars into Front channel of frame and tighten Tension Lock



• Turn Tension Lock to the right with T-30 tool to tighten lock into channel



4.) Assemble base plates to the bottom of the frame using the supplied bolts, washers, and wingnuts. Stand the frame up.



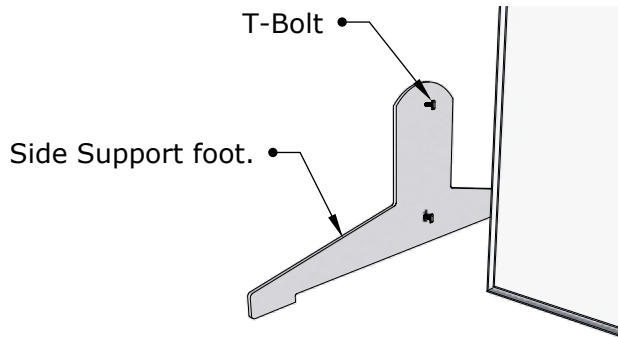
5.) Place SEG Graphic on the front of the frame following the instructions on the last page of the instruction manual.

6.) Adjust TV Bracket if necessary to align with slits in the front graphic. Place SEG Graphic on the Back of the frame following the instructions on the last page of the instruction manual.

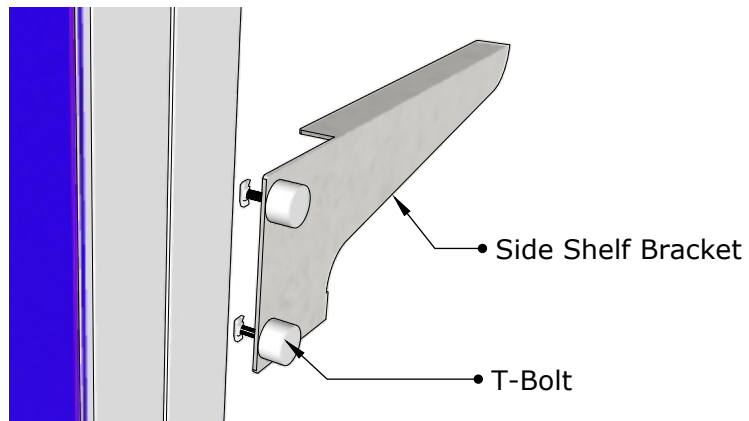
Part 2: Setup Front Display

7.) Install side support feet on onto side of frame by inserting the T-Bolt into the center groove and tighten the knurled thumb screw.

NOTE: FOR STABILITY SIDE SUPPORT FEET MUST BE IN PLACE UNLESS USING IN A BRIDGE CONFIGURATION.



8.) **OPTIONAL SHELF:** Install a side shelf bracket on each side by inserting the T-Bolts into the center groove and tighten the knurled thumb screw.

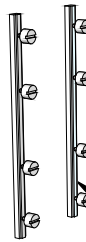
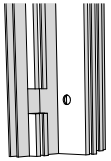


Install the shelf assembly by setting it on the shelf Brackets. **NOTE: Do not disassemble the support bar from the shelf.**

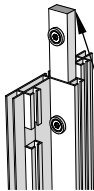


Part 3: Setup Bridge

1.) Place frame flat on the floor paring like numbers. Assemble sides with large center connector bar & small connector bars in center & outside channels respectively & tighten screws. Be sure to connect Barrel Electrical Connectors at each respective joint.

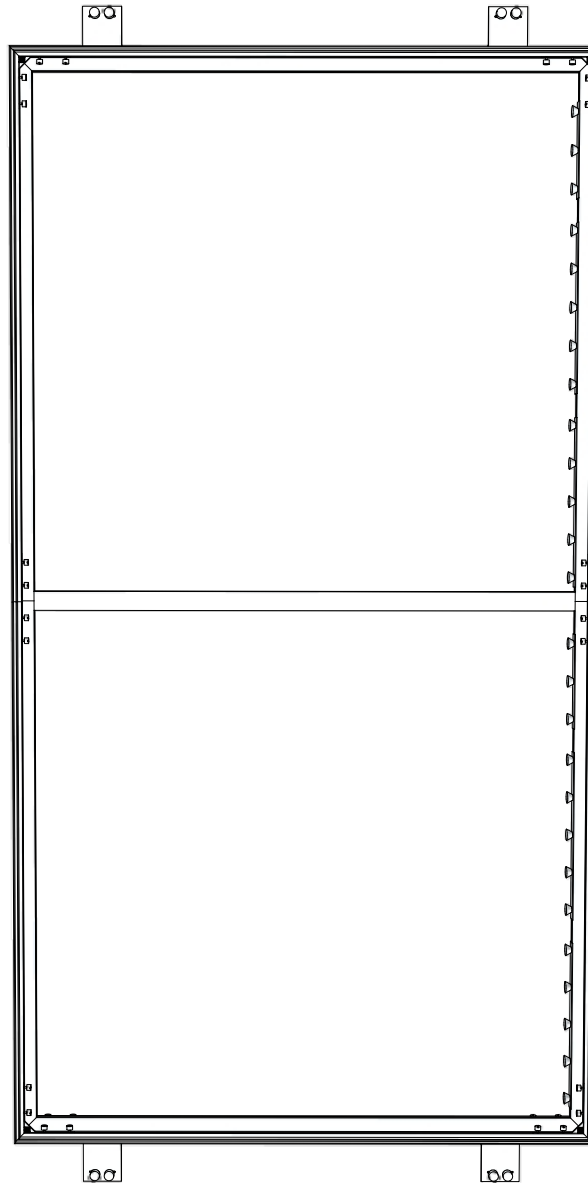
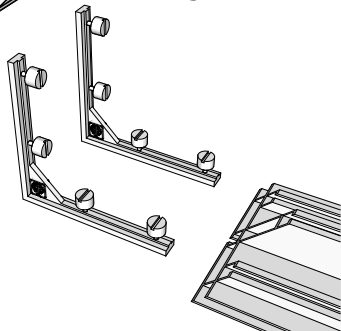
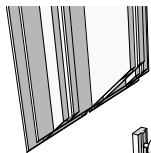


• Small connector bars

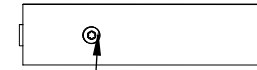


• Large connector bar

2.) Assemble corners using corner brackets inserted into outside channels of frame. Tighten thumb screws.

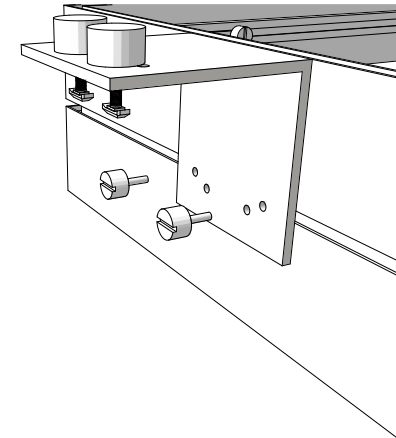


3.) Install Horizontal support bars into to marked location on frame and tighten Tension Lock



- Turn Tension Lock to the right with T-30 tool to tighten lock into channel

4.) Attach Bridge brackets to the short side of frame using the provided thumb screws. Thumb screws should be placed in the outer holes of the bracket.



6.) Place SEG Graphic on the front and rear of the frame following the instructions on the last page of the instruction manual.

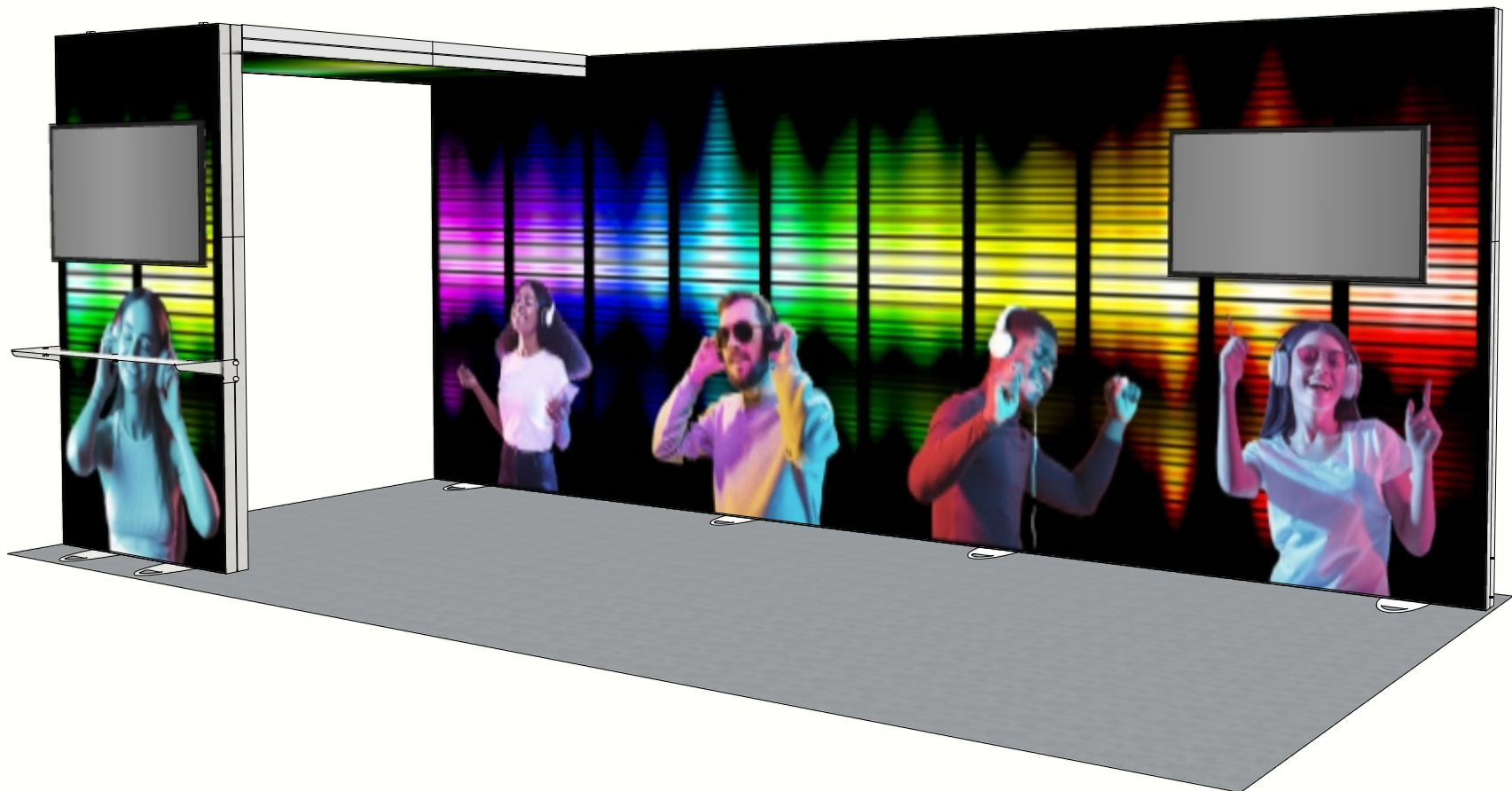
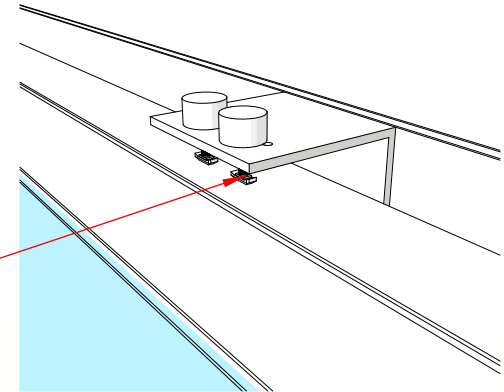
Part 4: Arrange Displays

1.) Place fully assembled Backwall into desired location at the rear of the booth space.

2.) Measure out approximately 90" from the front of the Backwall and place Front Display into desired location at the front of the booth space.

3.) Using two people, lift the Fully Assembled Bridge Display so that the brackets rest on the Backwall on one side and on the front display on the other. Secure the Bridge by inserting the T-bolts into the groove on the Backwall and Front Display and tighten to secure.

Insert T-Bolt into groove and secure by tightening thumb screw



Silicone Edge Graphics (SEG)

Installation Instructions into hardware

What are Silicone Edge Graphics (SEG)?

SEG are dye-sublimation fabric graphics with silicone strips sewn along the underside of the fabrics edge. SEG frames have grooves along their perimeter designed to snugly hold the silicone strips so the fabric can be stretched across the frame for a drum-tight fit.



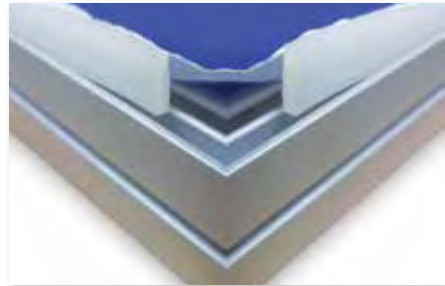
We recommend laying the frame on the floor, then draping the fabric graphic on top.

The following procedure ensures the silicone edge will be placed evenly over the entire frame and NOT STRETCH or GROW at the corners. Once all the edges have been secured, you should have a taut fit with a smooth flat finish.

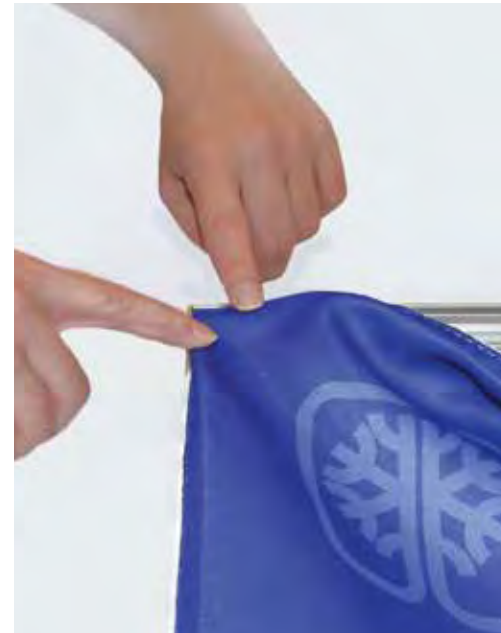
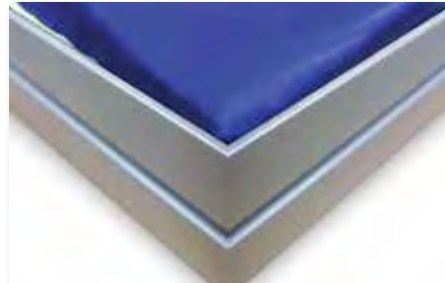
1: With Clean Hands,

Press SEG silicone edge first, into the corners of the frame.

INCORRECT WAY



CORRECT WAY



PRESS



Example: 36"x 36" frame

2: Working in Centers.

Go back and press the silicone edge into the center - on each side of the frame.

EXAMPLE: A 20"x20" fabric/frame would be pressed in 8 locations.



PRESS



REVISED 03/2016

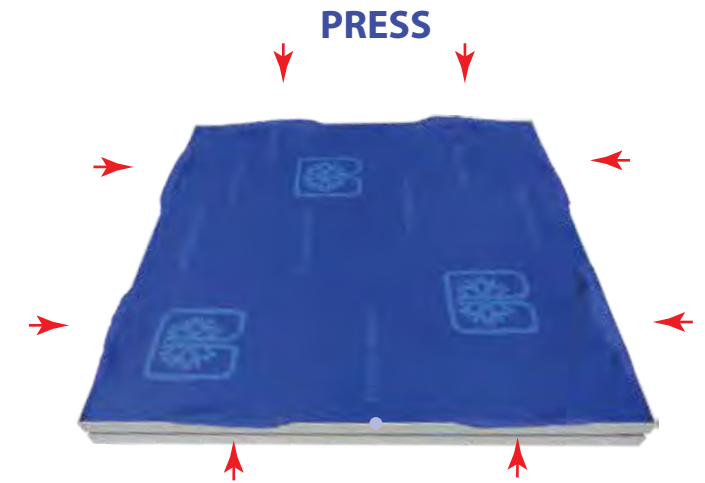
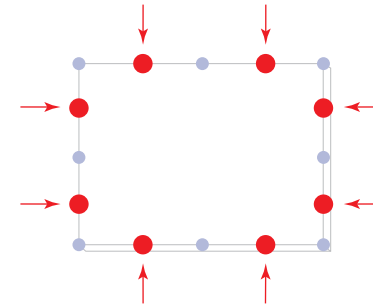
Cont'd.

3: Working in Centers again,

Go back and press the silicone edge once again on each side previous center, on all 4 sides.

Repeat this process, (WORKING IN CENTERS) until the SEG fabric's edge is pressed approximately every 6 inches apart.

EXAMPLE: A 8' x 8' frame (using this procedure) will have been pressed/tucked 15 times (not including corners) on each side of the frame.



4: After all has been pressed into your frame using

this procedure, lightly tap your forefinger to smooth fabric between the tucks.



CARE INSTRUCTIONS

Due to the fine quality, smoothness and weave of the fabric, great care must be taken to extend the life of your SEG fabric graphics.

We recommend very loosely folding your graphic, making sure there are no hard creases or folds or that the fabric doesn't catch on sharp objects.

Store in a clean bag.

A plastic bag or pillow case is ideal.

Graphics can also be spot cleaned with a damp cloth.

To wash entire graphic, use a commercial size front loading washing machine on gentle cycle with cool water. Do NOT dry clean.

You can also gently iron the back side using the Polyester setting of your iron.



REVISED 04/2016